



HD / 1,280 x 720 Pan-tilt Wireless Network Camera (BL-VT164W) HD / 1,280 x 720 Pan-tilt Network Camera (BL-VT164)

Key Features

- 720p HD images up to 30 fps
- 1.0 Megapixel high sensitivity CMOS Sensor
- Multiple H.264 (High profile) streams and JPEG streams ensure simultaneous real time monitoring and high resolution recording by “UniPhier®”, Panasonic’s proprietary System LSI platform.
- Full frame (Up to 30 fps) transmission at 1,280 x 720 image size
- High sensitivity with Day & Night (Electrical) function: 0.9 lx (Color), 0.6 lx (B/W) at F2.8
- Digital Noise Reduction: 3D-DNR ensures noise reduction in various conditions.
- Progressive scan ensures clear images with less motion blur and no tearing even when the subject is moving.
- Electronic sensitivity enhancement: Auto (Up to 16x) / OFF
- Selectable light control modes: Indoor scene (50 Hz) / Indoor scene (60 Hz) / ELC (maximum exposure time)
 - Indoor scene (50 Hz/60Hz): Flicker caused by fluorescent lightning will be automatically compensated.
 - ELC (maximum exposure time): The lightning control will be automatically performed by adjusting shutter speed in the range of ELC.
- 1.5x extra zoom at VGA resolution
- 8x digital zoom controlled by browser
- VMD (Video Motion Detection) with 4 programmable detection areas, 15 steps sensitivity level and 10 steps detection size
- Privacy Zone can mask up to 2 private areas, such as house windows and entrances/exits.
- Camera title display: Up to 20 alphanumeric characters on the browser
- Alarm sources including VMD and Panasonic alarm command can trigger actions such as FTP image transfer, E-mail notification, Indication on browser, and Panasonic alarm protocol output.
- JPEG Image compression ratio can be changed by alarm so that higher quality image can be provided.
- Prioritized stream control: One of the video streams can be prioritized when multiple recorders or client PCs are accessing the camera so that the recorder or the client PC can maintain the frame rate.
- H.264 max. bit rate/client and Total bit rate control allows flexible network traffic management. Frame rate priority mode controls bit rate and compression ratio to provide the specified frame rate.
- Internet mode: H.264 images can be transmitted over HTTP protocol.
- Multi-language: English / Italian / French / German / Spanish / Russian / Chinese / Japanese
- IPv4/IPv6 protocol supported
- Supports SSL, DDNS (viewnetcam, RFC2136)
- Still images (JPEG) can be viewed on mobile phones via Internet.
- Onvif compliant model
- Low profile design for discrete installation
- Pan/tilt and Preset Map Shot function realizes wide range monitoring..(Horizontal angle:139° Vertical angle 76°)
- Easy installation: Easy to adjust directions.
- Interactive communication with audio: By using the audio output connector and the microphone in connector, receiving audio from the cameras on a PC and transmitting audio from the PC to the cameras is available.
- Smartphone monitoring : Direct camera control from smartphone
- Wireless LAN function (IEEE802.11 n/b/g) : Camera images can be monitored over a wireless router.(BL-VT164W)
- WPS (Wi-Fi Protected Setup) function : WPS enables the camera to automatically obtain the connection configuration information and the security configuration information of the wireless router. WPS can be configured by pressing the WIRELESS button (WPS indicator) (PBC method) or entering an 8 digit pin code (Pin code method).(BL-VT164W)
- Built-in Body Heat Sensor (Pyroelectric infrared sensor)
- PC software recording (BB-HNP17: Network Camera Recorder with Viewer Software)

Standard Accessories

• AC Adaptor	1 pc.	• Installation Guide	1 pc.
• Safety Wire	1 pc.	• CD-ROM ¹	1 pc.
• Configure the settings of the camera	1 pc.		

¹ The CD-ROM contains the operating instructions and different kinds of tool software programs.

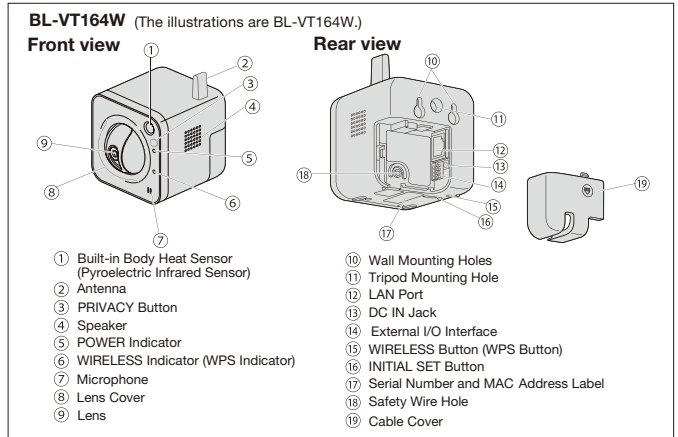
Specifications

	BL-VT164W	BL-VT164		
Camera	Image Sensor	1/4 type CMOS Sensor		
	Effective Pixels	Approx. 1 megapixels		
	Scanning Mode	Progressive		
	Scanning Area	3.89 mm (H) x 2.43 mm (V) {5/32 inches (H) x 3/32 inches (V)}		
	Minimum Illumination	Color: 0.9 lx (F2.8, Auto slow shutter: Off (1/30s), Gain:On(High)) Color: 0.06 lx (F2.8, Auto slow shutter: Max. 16/30s, Gain:On(High)) ^{*1} BW: 0.6 lx (F2.8, Auto slow shutter: Off (1/30s), Gain:On(High)) BW: 0.04 lx (F2.8, Auto slow shutter: Off (16/30s), Gain:On(High)) ^{*1}		
	White Balance	AWC (2,000 - 10,000 K), ATW1 (2,700 - 6,000 K), ATW2 (2,000 - 6,000 K)		
	Light Control Mode	Indoor scene (60 Hz / 60 Hz) / ELC		
	Shutter Speed	ELC (1/30 s), ELC (3/100 s), ELC (3/120 s), ELC (2/100 s), ELC (2/120 s), ELC (1/100 s), ELC (1/120 s), ELC (1/250 s), ELC (1/500 s), ELC (1/1,000 s), ELC (1/2,000 s), ELC (1/4,000 s), ELC (1/10,000 s)		
	Adaptive Black Stretch	ON / OFF		
	AGC	ON (HIGH) / ON (MID) / ON (LOW) / OFF		
	Electronic Sensitivity UP	OFF (1/30 s), Max. 2/30 s, Max. 4/30 s, Max. 6/30 s, Max. 10/30 s, Max. 16/30 s		
	Day & Night (electrical)	OFF / AUTO		
	Digital Noise Reduction	HIGH / LOW		
	Lens	Video Motion Detection	ON / OFF (available at each preset)	
Privacy Zone		ON / OFF (up to 2 zones available)		
Camera Title (OSD)		Up to 20 characters (alphanumeric characters, marks), On/Off		
Focal Length		3.6 mm		
Zoom Ratio		Extra zoom: 1.5x (at VGA resolution)		
Angular Field of View		Horizontal: 57°, Vertical: 34°		
Maximum Aperture Ratio		1 : 2.8		
Focusing Range		0.4 m ~ ∞		
Panning Range		-41° ~ +41°		
Panning Speed		Manual: Approx. 0.5 °/s - 50 °/s, Preset: Up to approx. 50 °/s		
Tilting Range		-32° to +10°		
Tilting Speed		Manual: Approx. 0.5 °/s - 50 °/s, Preset: Up to approx. 50 °/s		
Number of Preset Positions		64		
PTZ Position Display		ON / OFF		
Self Return	10 s / 20 s / 30 s / 1 min / 2 min / 3 min / 5 min / 10 min / 20 min / 30 min / 60 min			
Map Shot	Preset map-shot			
Pan and Tilt	Antenna	1x1 (Diversity) ---		
	Transmission method	SSB Single Input/Single Output -OFDM, OFDM-DSSS ---		
	Frequency range	BL-VT164W: 2.412 GHz - 2.462 GHz (1 - 11ch) BL-VT164WE: 2.412 GHz - 2.472 GHz (1 - 13ch) BL-VT164WU: 2.412 GHz - 2.472 GHz (1 - 13ch) ---		
	Data transfer rate: ^{*2}	IEEE802.11n: 65-72.2Mbps IEEE802.11g: 6-54Mbps IEEE802.11b: 1-11Mbps ---		
	Access method	Infrastructure mode ---		
	Authentication method	Open System ---		
	Security: ^{*3}	WPA/WPA2-PSK (TKIP/AES) WEP (64 bit/128 bit) ---		
	WPS	PBC method (push button method), PIN method (PIN code method) ---		
	Wireless (BL-VT164W/ BL-VT164WE/ BL-VT164WU only)	Camera Control	Brightness, AUX ON / OFF	
		Display Mode	Spot, Quad: Image from 16 cameras can be displayed in 4 different Quad screens or 16 split screen (JPEG only), 20 characters camera title available.	
		Zoom	extra zoom(1x-1.5x) and the electronic zoom (higher zoom factors, up to 12x).	
		Camera Title	Up to 20 alphanumeric characters	
		Clock Display	Time: 12H/24H, Date: 5 formats on the browser, Summer time (Manual)	
		Alarm Control	Reset	
One Shot Capture		A still picture will be displayed on a newly opened window.		
Audio		Mic Input: ON / OFF Volume adjustment: Low / Middle / High Audio Output: ON / OFF Volume adjustment: Low / Middle / High		
GUI/Setup Menu Language		English, Japanese, Italian, French, German, Spanish, Chinese, Russian		
System Log		Up to 100 (Internal), error logs		
Supported OS ^{*4*}		Microsoft® Windows® 8, Microsoft® Windows® 7, Microsoft® Windows Vista®, Microsoft® Windows® XP SP3		
Supported Browser		Windows® Internet Explorer® 10.0 (32 bit), Windows® Internet Explorer® 9.0 (32 bit), Windows® Internet Explorer® 8.0 (32 bit), Windows® Internet Explorer® 7.0 (32 bit), Microsoft® Internet Explorer® 6.0 SP3		
Browser GUI		Network IF	10Base-T / 100Base-TX, RJ-45 connector (female)	
		Image Resolution ^{*5}	Aspect ratio: [4 : 3] H.264: SVGA(800 x 600) / VGA (640 x 480) / QVGA (320 x 240), up to 30 fps JPEG: SVGA(800 x 600) / VGA (640 x 480) / QVGA (320 x 240), up to 30 fps Aspect ratio: [16 : 9] H.264: 1,280 x 720 / 640 x 360 / 320 x 180, up to 30 fps JPEG: 1,280 x 720 / 640 x 360 / 320 x 180, up to 30 fps	
	H.264	Transmission Mode	Constant bitrate / Frame rate / Best effort / Advanced VBR	
		Frame Rate	1 / 3 / 5 / 7.5 / 10 / 12 / 15 / 20 / 30 fps	
		Bit Rate/Client	64 / 128 / 256 / 384 / 512 / 768 / 1,024 / 1,536 / 2,048 / 3,072 / 4,096 / 8,192 kbps	
		Image Quality	LOW / NORMAL / FINE	
		Refresh Interval	1 fps ~ 30 fps	
		Transmission Type	UNICAST / MULTICAST	
	JPEG	Image Quality	10 steps	
		Refresh Interval	0.1 fps ~ 30 fps	
		Transmission Type	PULL / PUSH	
		Audio Compression	G.726 (ADPCM) 32 kbps / 16 kbps, G.711 64 kbps	
		Audio Mode	OFF / Mic input / Audio output / Interactive (Half duplex) / Interactive (Full duplex)	
		Authentication for Audio	Level 1 only / Level 2 higher / All users	
	Total Bit Rate	64 / 128 / 256 / 384 / 512 / 768 / 1,024 / 2,048 / 4,096 / 8,192 kbps / Unlimited		
	Supported Protocol	IPv6: TCP/IP, UDP/IP, HTTP, HTTPS, RTP, FTP, SMTP, DNS, NTP, SNMP, DHCPv6, ML, ICMP, ARP IPv4: TCP/IP, UDP/IP, HTTP, HTTPS, RTP, FTP, SMTP, DNS, NTP, SNMP, DHCP, DNS, DDNS, NTP, SNMP, UPnP, IGMP, ICMP, ARP		
	FTP Client	Alarm image transmission, FTP periodic transmission		
	No. of Simultaneous Users	Up to 14 users (Depends on network conditions)		
	Cellular Phone Compatibility	JPEG image, panning/tilting/zoom/Privacy control, AUX control (by access level)		
	Mobile Terminal Compatibility ^{*7}	iPad, iPhone, iPod touch (iOS 4.2.1 or later), Android™ mobile terminals		
Alarm	Alarm Source	3x Terminal inputs, VMD, Command alarm, Body heat sensor		
	Alarm Actions	E-mail notification, Indication on browser, FTP image transfer, Panasonic protocol output		
	Schedule	VMD, Body heat sensor		
Body heat sensor	Sensor detection method	pyroelectric infrared sensor		
	Sensitivity settings	Off/ High/ Normal/ Low/ Extra low		
	Sensor detection range	About 5 m (with the temperature at 20°C and Normal sensitivity) Horizontal: 28°, Vertical: 71°		
Input/Output	Microphone/Line Input	Internal microphone		
	Audio Output	Internal speaker		
	External I/O Terminals	ALARM IN 1, ALARM IN 2/ ALARM OUT, ALARM IN 3/ AUX OUT, GND		

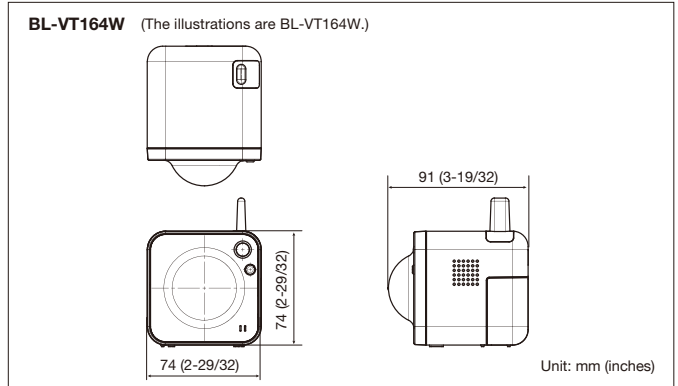
	BL-VT164W	BL-VT164	
General	Safety/ EMC Standard	BL-VT164W: <Safety> UL60950-1 Ed.2, C22.2 NO.60950-1 Ed.2 <EMC> FCC Part15 ClassB <Wireless> FCC Part15C BL-VT164WE/BL-VT164WU: <Safety>IEC60950-1 Ed.2 <EMC> EN55022 ClassB, EN55024 <Wireless> EN300 328	BL-VT164: <Safety> UL60950-1 Ed.2, C22.2 NO.60950-1 Ed.2 <EMC> FCC Part15 ClassB, ICES-003 ClassB BL-VT164E/BL-VT164U: <Safety> IEC60950-1 Ed.2 <EMC> EN55022 ClassB, EN55024
	Power Source and Power Consumption	9 V DC (Use only with Panasonic AC adapter) BL-VT164W: max. 4.8 W (120 V AC/ 60 Hz) BL-VT164WE: max. 4.8 W (230 V AC/ 50 Hz) BL-VT164WU: max. 4.8 W (230 V AC/ 50 Hz)	9 V DC (Use only with Panasonic AC adapter) BL-VT164: max. 3.7 W (120 V AC/ 60 Hz) BL-VT164E: max. 3.7 W (230 V AC/ 50 Hz) BL-VT164U: max. 3.7 W (230 V AC/ 50 Hz)
	Ambient Operating Temperature	0 °C ~ 40 °C (32 °F ~ 104 °F)	
	Ambient Operating Humidity	Less than 90 % (no condensation)	
	Dimensions	74 mm (H) x 74 mm (W) x 91 mm (D) (2-29/32 inches (H) x 3-19/32 inches (W) x 2-29/32 inches (D)) (excluding projection)	
	Mass (approx.)	Approx. 230 g (0.5071 lbs)	
	Finish	Main body: ABS resin, white Dome section: Clear polycarbonate resin	

- *1 Converted value
- *2 The actual line speed may be different depending on the network environment and the wireless devices connected.
- *3 Depending on the wireless router (wireless access point) used, connections may not possible between the camera and the wireless router.
When connecting with 802.11n, select WPA-PSK (AES) or WPA2-PSK (AES) for security.
- *4 Refer to "Notes on Windows Vista® / Windows® 7 / Windows® 8" on the provided CD-ROM for further information about system requirements for a PC and precautions when using Microsoft® Windows® 8 or Microsoft® Windows® 7 or Microsoft® Windows Vista®.
- *5 When using IPv6 for communication, use Microsoft® Windows® 8 or Microsoft® Windows® 7 or Microsoft® Windows Vista®.
- *6 Transmission for 2 streams can be individually set in the same compression method.
- *7 For further information about compatible devices, refer to our website (<http://security.panasonic.com/pss/security/support/info.html>).

Part Names and Functions



Appearance



Trademarks and registered trademarks

- Microsoft, and Windows are registered trademarks of Microsoft Corporation in the U.S. and other countries.
- iPad, iPhone and iPod touch are registered trademarks of Apple Inc.
- UniPhier is a registered trademark of Panasonic Corporation.
- ONVIF and the ONVIF logo are trademarks of ONVIF Inc.

Important

- Safety Precaution: Carefully read the operating instructions and installation manual before using this product.
- Panasonic cannot be responsible for the performance of the network and/or other manufacturers' products used on the network.

- Masses and dimensions are approximate.
- Specifications are subject to change without notice.
- These products may be subject to export control regulations.

DISTRIBUTED BY:

Panasonic

<http://security.panasonic.com>

<http://www.facebook.com/PanasonicNetworkCamera>

Printed in Japan (2A-091BL)